



FEATURES

- Adjustable power size 2~5
- Adjustable closing and latching speed
- Thermo-constant valve
- Adjustable back check
- Adjustable delay action
- Surface mount
- Cam action
- Track arm mechanism

Power size	2~5
Max. Door width (mm)	1250
Max. Opening Angle	180

APPLICATION RANGES

- B type : Door mount pull side & transom mount push side
- G type : Door mount push side & transom mount pull side
- Single-action door
- Non-handed installation

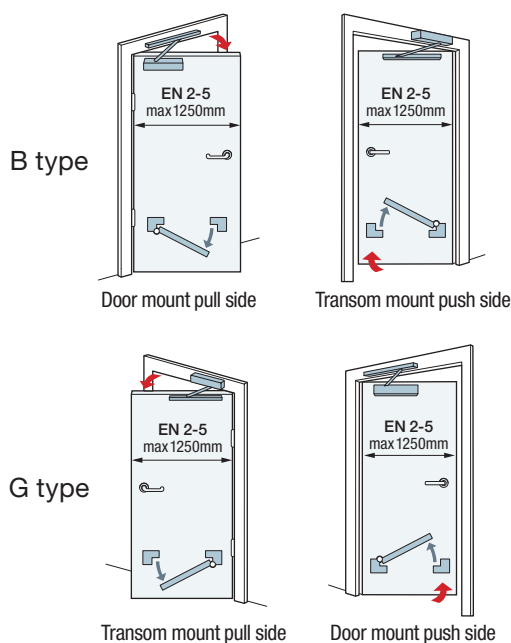
FINISHES

- Anodized aluminum for door closer body and track rail as standard
- Painted – silver, brown, gold, black, white and other RAL colors upon request and discussion
- Plating(for cover only) - US32D & other US finish code colors upon request & discussion

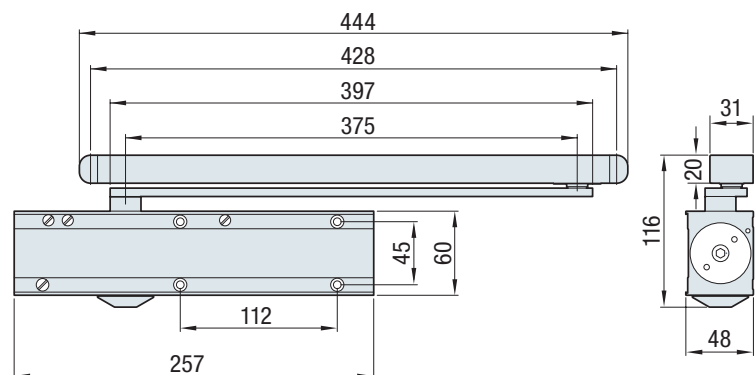
ACCESSORIES

- Cover
- Mounting plate
- Hold open device
- Cushion limit stay
- Angle bracket

INSTALLATION



DIMENSIONS





FEATURES

- Adjustable power size 2~4
- Adjustable closing and latching speed
- Thermo-constant valve
- Adjustable back check
- Surface mount
- Cam action
- Track arm mechanism

Power size	2~4
Max. Door width (mm)	1100
Max. Opening Angle	180

FINISHES

- Anodized aluminum for door closer body and track rail as standard
- Painted – silver, brown, gold, black, white and other RAL colors upon request and discussion

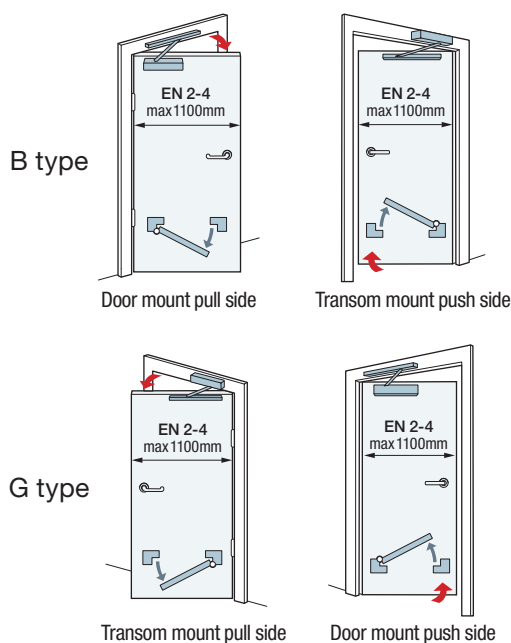
APPLICATION RANGES

- B type : Door mount pull side & transom mount push side
- G type : Door mount push side & transom mount pull side
- Single-action door
- Non-handed installation

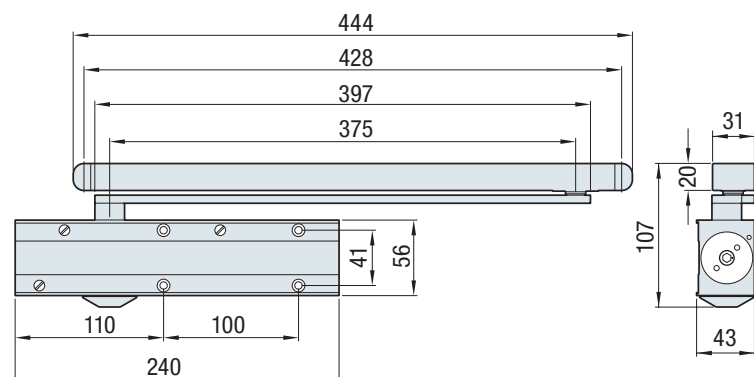
ACCESSORIES

- Mounting backplate
- Hold open device
- Cushion limit stay
- Angle bracket

INSTALLATION



DIMENSIONS





FEATURES

- Adjustable power size 3
- Adjustable closing and latching speed
- Thermo-constant valve
- Surface mount
- Cam action
- Track arm mechanism

Power size	3
Max. Door width (mm)	950
Max. Opening Angle	180

FINISHES

- Anodized aluminum for door closer body and track rail as standard
- Painted – silver, brown, gold, black, white and other RAL colors upon request and discussion

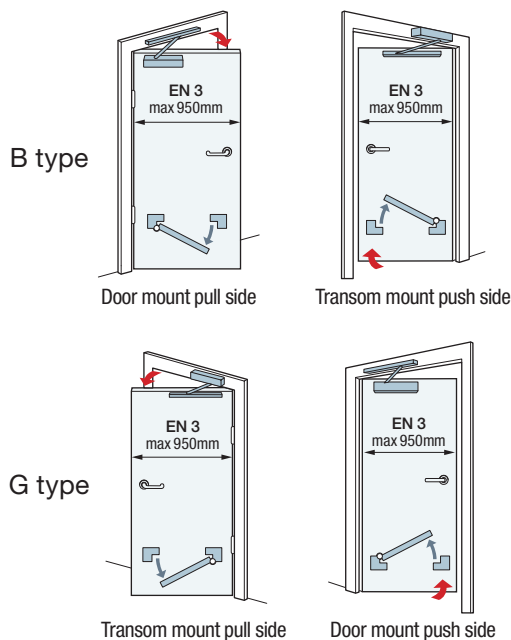
APPLICATION RANGES

- B type : Door mount pull side & transom mount push side
- G type : Door mount push side & transom mount pull side
- Single-action door
- Non-handed installation

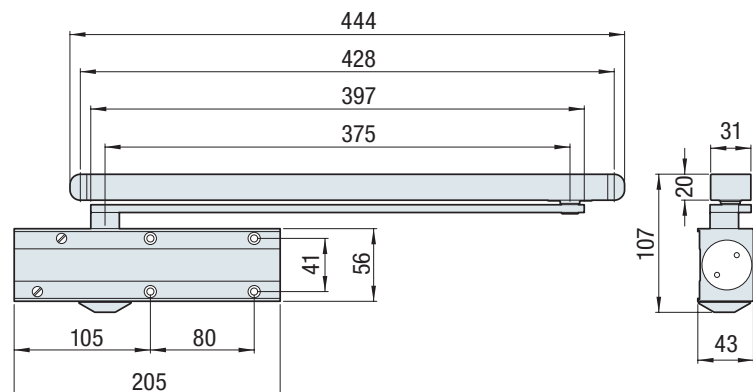
ACCESSORIES

- Hold open device
- Cushion limit stay

INSTALLATION



DIMENSIONS





FEATURES

- Adjustable power size 2~4
- Adjustable closing and latching speed
- Thermo-constant valve
- Concealed mount
- Cam action
- Surface mount
- Cam action
- Track arm mechanism
(Large as standard and Small as option)
- **713** can be installed in virtually all doors with minimum thickness of 40 mm, and regular fire door 44 mm and 54 mm.

Power size	2~4
Max. Door width (mm)	1100
Max. Opening Angle	120

FINISHES

- Anodized aluminum for door closer body and track rail as standard
- Painted – silver, brown, gold, black, white and other RAL colors upon request and discussion

APPLICATION RANGES

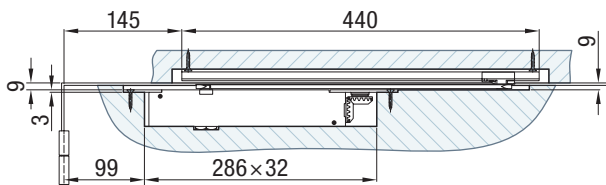
- Concealed in door
- Concealed in transom
- Single-action door
- Non-handed installation

ACCESSORIES

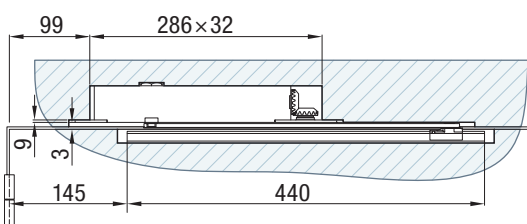
- Hold open device
- Cushion limit stay
- Fixing plate
- End cap

INSTALLATION

Concealed in door

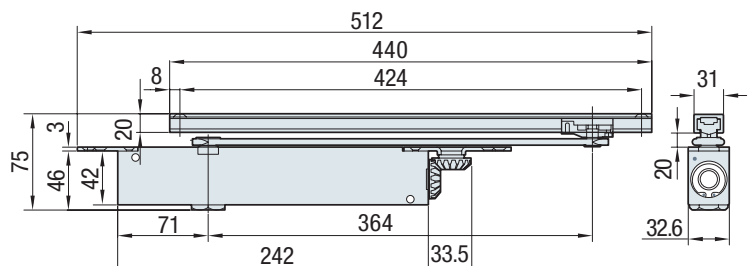
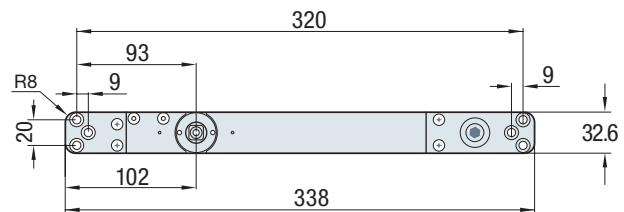


Concealed in transom



DIMENSIONS

Track arm
Large: 440×31×20
Small: 440×(23)×(15)





FEATURES

- Adjustable power size 2~4
- Adjustable closing and latching speed
- Thermo-constant valve
- Adjustable back check
- Surface mount
- Rack and Pinion action
- Track arm mechanism
- Delay action (optional upon request)

Power size	2~4
Max. Door width (mm)	1100
Max. Opening Angle	180

APPLICATION RANGES

- Standard door mount on pull side
- Transom mount on pull and push side
- Single-action door
- Non-handed installation

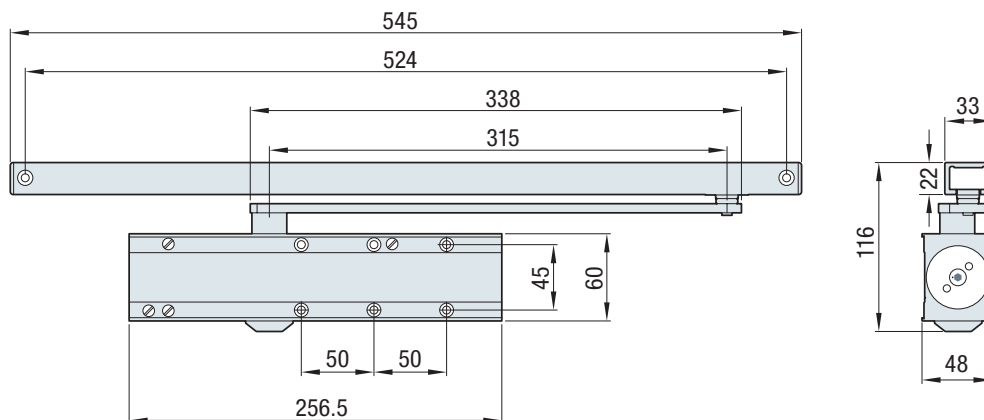
FINISHES

- Anodized aluminum for door closer body as standard
- Painted – silver, brown, gold, black, white and other RAL colors upon request and discussion
- Plating (for cover only) – US32D and other US finish code colors upon request and discussion

ACCESSORIES

- Hold open device
- Cover

DIMENSIONS





FEATURES

- Fixed power size 3
- Adjustable closing and latching speed
- Thermo-constant valve
- Adjustable back check
- Surface mount
- Rack and Pinion action
- Track arm mechanism

Power size	3
Max. Door width (mm)	950
Max. Opening Angle	180

FINISHES

- Anodized aluminum for door closer body and track rail as standard
- Painted – silver, brown, gold, black, white and other RAL colors upon request and discussion

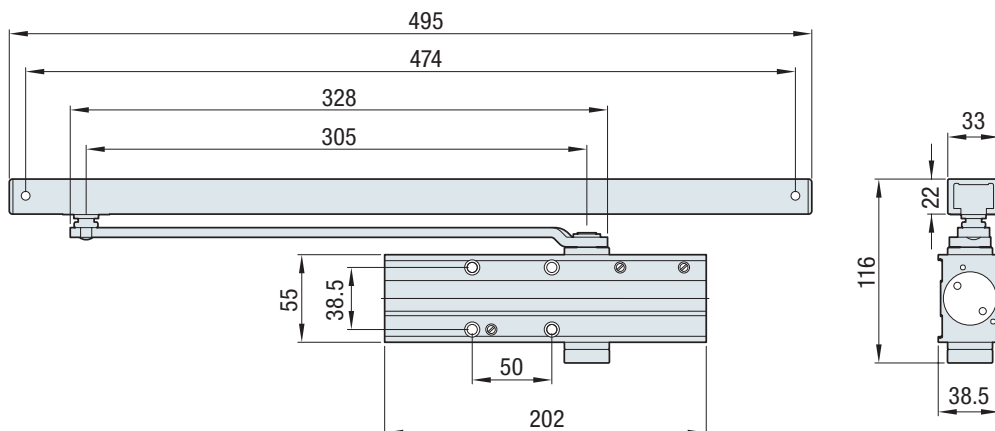
APPLICATION RANGES

- Standard door mount on pull side
- Transom mount on pull and push side
- Single-action door
- Non-handed installation

ACCESSORIES

- Hold open device

DIMENSIONS





FEATURES

- Fixed power size 3
- Adjustable closing and latching speed
- Thermo-constant valve
- Cushion limit stay
- Concealed mount
- Rack and Pinion action
- Track arm mechanism

Power size	3
Max. Door width (mm)	950
Max. Opening Angle	105

FINISHES

- Anodized aluminum for door closer body as standard
- Painted – silver, brown, gold, black, white and other RAL colors upon request and discussion

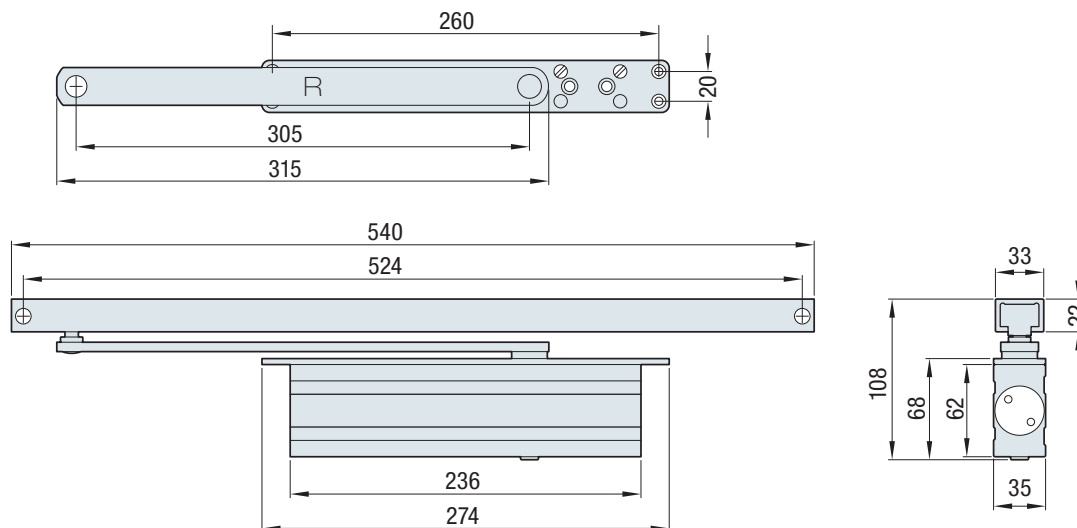
APPLICATION RANGES

- Concealed in door
- Single-action door
- Non-handed installation

ACCESSORIES

- Hold open device

DIMENSIONS





FEATURES

- Fixed power size 2 & 3 (non-standard)
- Adjustable closing and latching speed
- Thermo-constant valve
- Concealed mount
- Rack and Pinion action
- Track arm mechanism

Power size	2	3
Max. Door width (mm)	850	950
Max. Opening Angle	120	

FINISHES

- Anodized aluminum for door closer body as standard
- Painted – silver, brown, gold, black, white and other RAL colors upon request and discussion

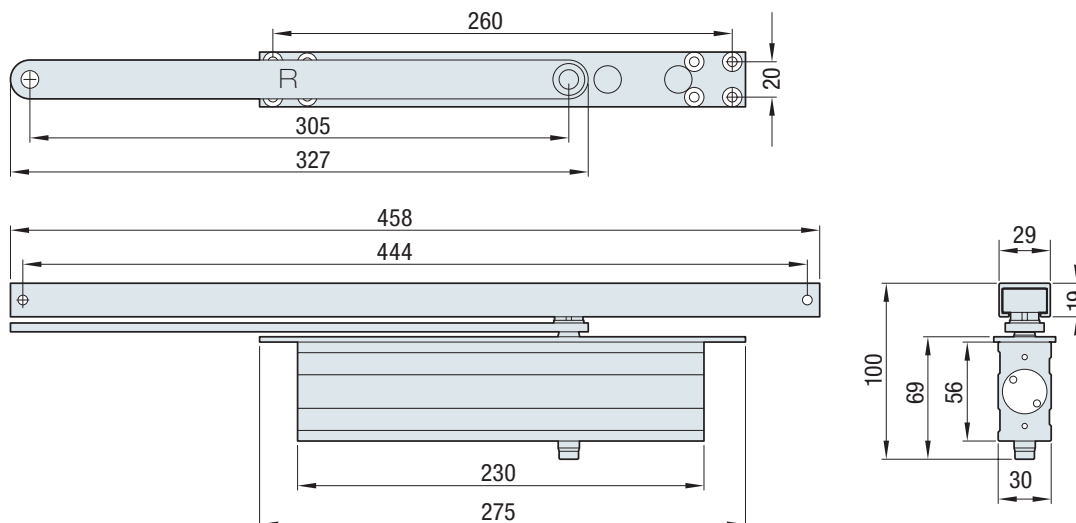
APPLICATION RANGES

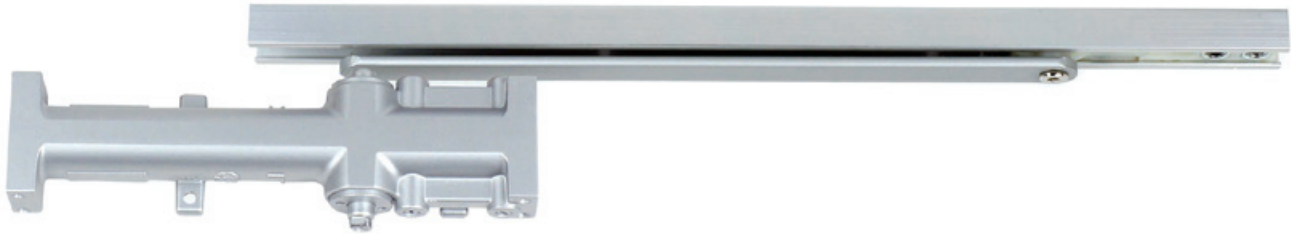
- Concealed in door
- Concealed in transom
- Single-action door
- Non-handed installation

ACCESSORIES

- Hold open device

DIMENSIONS





FEATURES

- Fixed power size 2 & 3 (non-standard)
- Adjustable closing and latching speed
- Thermo-constant valve
- Concealed mount
- Rack and Pinion action
- Track arm mechanism

Power size	2	3
Max. Door width (mm)	850	950
Max. Opening Angle	120	

FINISHES

- Anodized aluminum for door closer body as standard
- Painted – silver, brown, gold, black, white and other RAL colors upon request and discussion

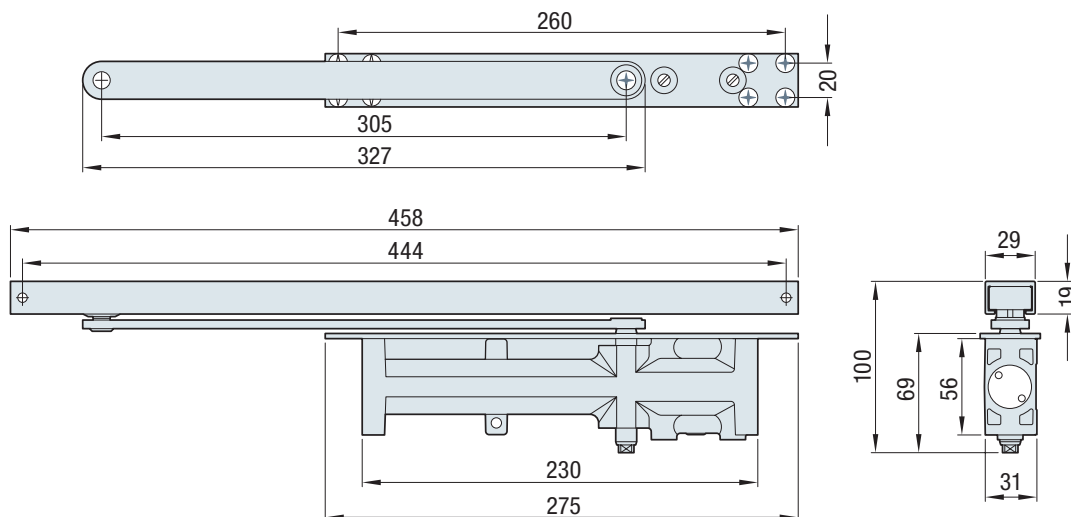
APPLICATION RANGES

- Concealed in door
- Concealed in transom
- Single-action door
- Non-handed installation

ACCESSORIES

- Hold open device

DIMENSIONS





FEATURES

- Adjustable power size 2~6
- Adjustable closing and latching speed
- Thermo-constant valve
- Adjustable back check
- Surface mount
- Rack and Pinion action
- Track arm mechanism
- Delay action (optional upon request)

APPLICATION RANGES

- Standard door mount on pull side
- Transom mount on push side
- Parallel bracket application on size 3-5
- Single-action door
- Non-handed installation

FINISHES

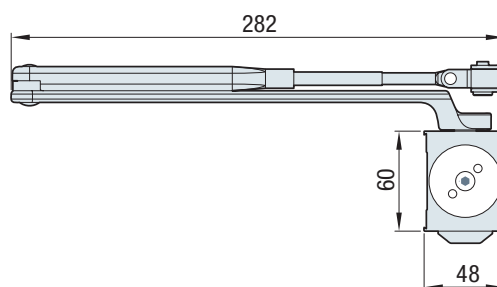
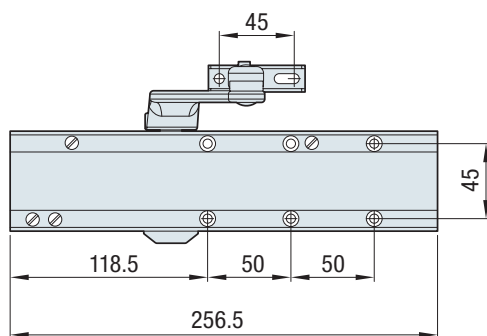
- Anodized aluminum for door closer body as standard
- Painted – silver, brown, gold, black, white and other RAL colors upon request and discussion
- Plating (for cover only) – US32D and other US finish code colors upon request and discussion

Power size	2~6
Max. Door width (mm)	1400
Max. Opening Angle	180

ACCESSORIES

- Hold open device
- Parallel bracket
- Cover

DIMENSIONS





FEATURES

- Adjustable power size 2~5
- Adjustable closing and latching speed
- Thermo-constant valve
- Adjustable back check
- Surface mount
- Rack and Pinion action
- Standard arm mechanism

APPLICATION RANGES

- Standard door mount on pull side
- Transom mount on push side
- Parallel bracket application on size 3-4
- Single-action door
- Non-handed installation

FINISHES

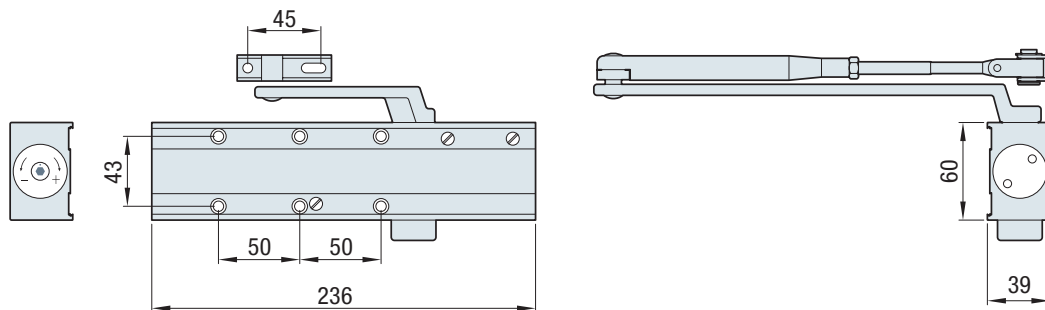
- Anodized aluminum for door closer body as standard
- Painted – silver, brown, gold, black, white and other RAL colors upon request and discussion
- Plating (for cover only) – US32D and other US finish code colors upon request and discussion

Power size	2~5
Max. Door width (mm)	1250
Max. Opening Angle	180

ACCESSORIES

- Hold open device
- Parallel bracket
- Cover

DIMENSIONS





FEATURES

- Adjustable power size 2~4
- Adjustable closing and latching speed
- Thermo-constant valve
- Adjustable back check
- Surface mount
- Rack and Pinion action
- Standard arm mechanism

APPLICATION RANGES

- Standard door mount on pull side
- Transom mount on push side
- Parallel bracket application on size 3-4
- Single-action door
- Non-handed installation

FINISHES

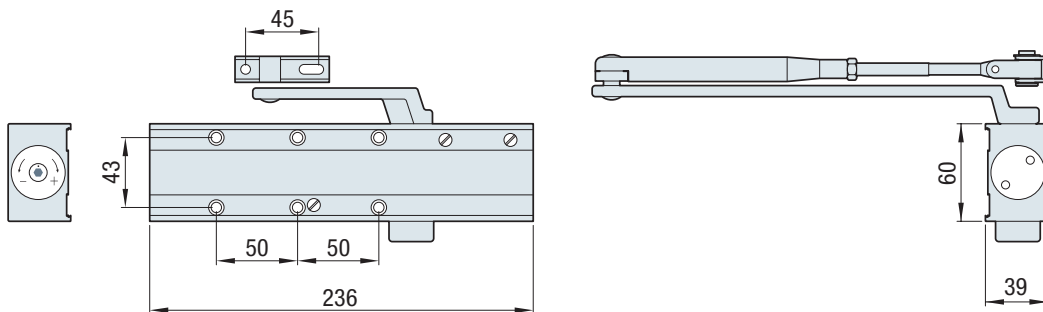
- Anodized aluminum for door closer body as standard
- Painted – silver, brown, gold, black, white and other RAL colors upon request and discussion
- Plating (for cover only) – US32D and other US finish code colors upon request and discussion

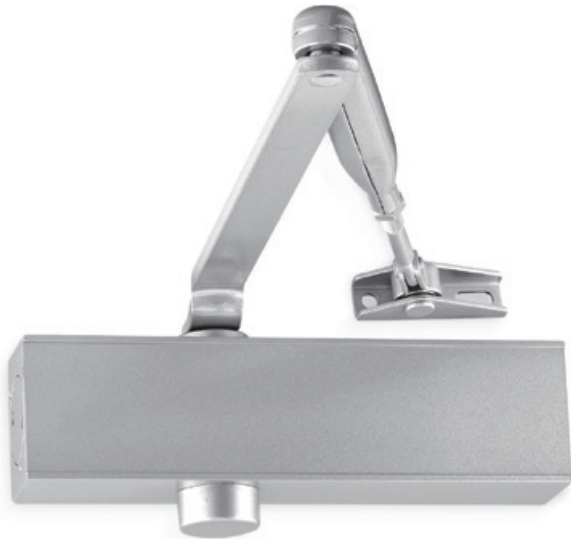
Power size	2~4
Max. Door width (mm)	1100
Max. Opening Angle	180

ACCESSORIES

- Hold open device
- Parallel bracket
- Cover

DIMENSIONS





FEATURES

- Selectable position power size 2~4
- Adjustable closing and latching speed
- Thermo-constant valve
- Adjustable back check
- Surface mount
- Rack and Pinion action
- Standard arm mechanism

APPLICATION RANGES

- Standard door mount on pull side
- Transom mount on push side
- Parallel bracket application on size 3
- Single-action door
- Non-handed installation

Power size	2~4
Max. Door width (mm)	1100
Max. Opening Angle	180

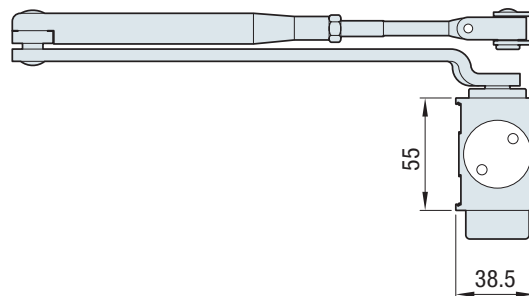
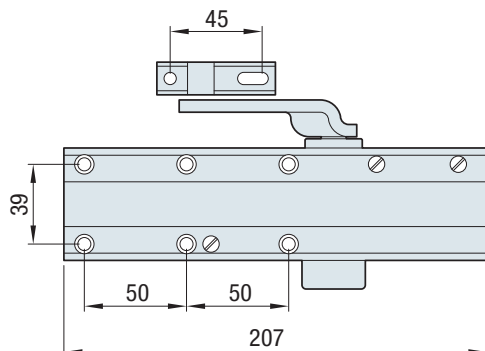
FINISHES

- Anodized aluminum for door closer body as standard
- Painted – silver, brown, gold, black, white and other RAL colors upon request and discussion
- Plating (for cover only) – US32D and other US finish code colors upon request and discussion

ACCESSORIES

- Hold open device
- Parallel bracket
- Fixing plate
- Drop plate
- Cover

DIMENSIONS





FEATURES

- Selectable position power size 2~4 EN compliance
- Adjustable closing and latching speed
- Surface mount
- Rack and Pinion action
- Standard arm mechanism
- Built in hold-open (optional upon request)

APPLICATION RANGES

- Standard door mount on pull side
- Transom mount on push side
- Parallel bracket application
- Non-handed installation

FINISHES

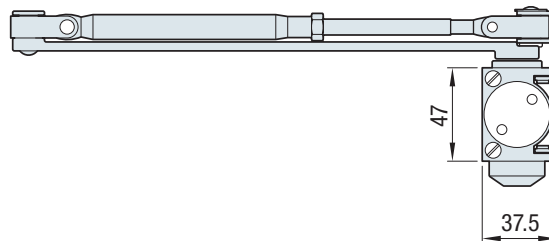
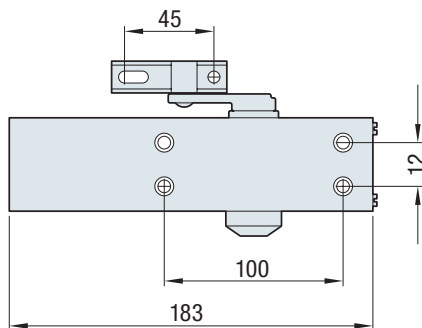
- Painted – silver, brown, gold, black, white and other RAL colors upon request and discussion

Power size	2	3	4
Max. Door width (mm)	850	950	1100
Max. Opening Angle	120	120	105

ACCESSORIES

- Parallel bracket
- Drop plate
- Mounting plate

DIMENSIONS





FEATURES

- Selectable position power size 2~4
- Adjustable closing and latching speed
- Thermo-constant valve
- Backcheck (optional upon request)
- Surface mount
- Rack and Pinion action
- Standard arm mechanism

APPLICATION RANGES

- Standard door mount on pull side
- Transom mount on push side
- Parallel bracket application on size 3
- Single-action door
- Non-handed installation

Power size	2~4
Max. Door width (mm)	1100
Max. Opening Angle	180

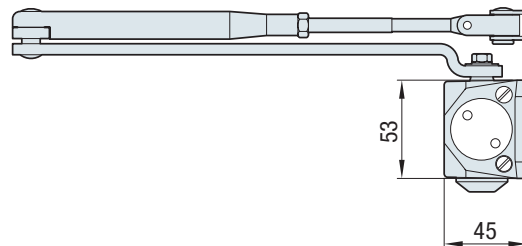
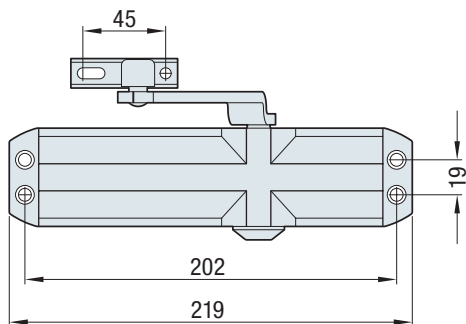
FINISHES

- Anodized aluminum for door closer body as standard
- Painted – silver, brown, gold, black, white and other RAL colors upon request and discussion
- Plating (for cover only) – US3, US15, US26, US26D and other US finish code colors upon request and discussion

ACCESSORIES

- Hold open device
- Parallel bracket
- Cover

DIMENSIONS





FEATURES

- Selectable position power size 2~4
- Adjustable closing and latching speed
- Thermo-constant valve
- Backcheck (optional upon request)
- Surface mount
- Rack and Pinion action
- Standard arm mechanism

APPLICATION RANGES

- Standard door mount on pull side
- Transom mount on push side
- Parallel bracket application on size 3
- Single-action door
- Non-handed installation

FINISHES

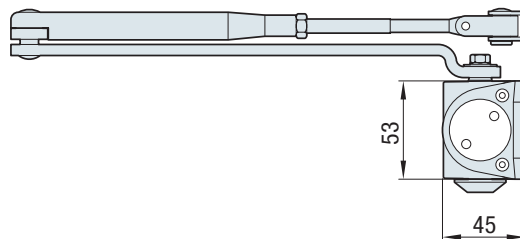
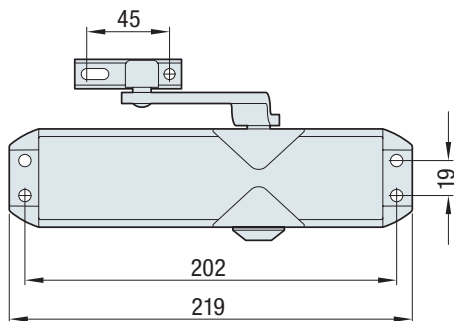
- Painted – silver, brown, gold, black, white and other RAL colors upon request and discussion

Power size	2~4
Max. Door width (mm)	1100
Max. Opening Angle	180

ACCESSORIES

- Hold open device
- Parallel bracket

DIMENSIONS





FEATURES

- Fixed power size 3
- Adjustable closing and latching speed
- Thermo-constant valve
- Surface mount
- Rack and Pinion action
- Standard arm mechanism

APPLICATION RANGES

- Standard door mount on pull side
- Transom mount on push side
- Parallel bracket application
- Single-action door
- Non-handed installation

FINISHES

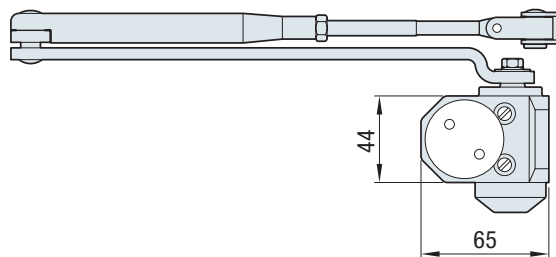
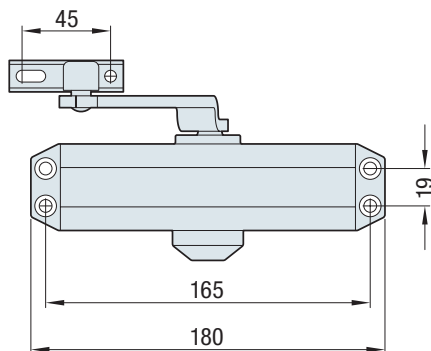
- Painted – silver, brown, gold, black, white and other RAL colors upon request and discussion

Power size	3
Max. Door width (mm)	950
Max. Opening Angle	180

ACCESSORIES

- Hold open device
- Parallel bracket

DIMENSIONS





FEATURES

- Fixed power size 2 UL compliance
- Adjustable closing and latching speed
- Surface mount
- Rack and Pinion action
- Standard arm mechanism
- Built in hold-open (optional upon request)

APPLICATION RANGES

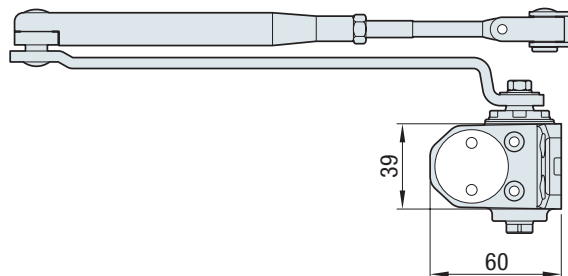
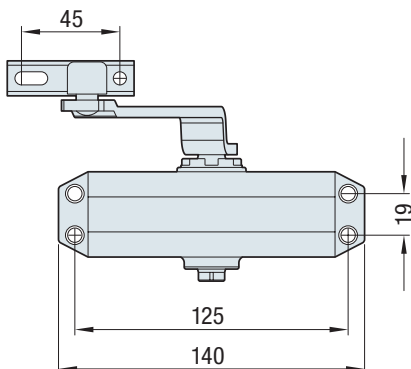
- Standard door mount on pull side
- Transom mount on push side
- Single-action door
- Non-handed installation

FINISHES

- Painted – silver, brown, gold, black, white and other RAL colors upon request and discussion

Power size	2
Max. Door width (mm)	900
Max. Opening Angle	120

DIMENSIONS





FEATURES

- Adjustable power size 2~4
- Adjustable closing and latching speed
- Thermo-constant valve
- Adjustable backcheck
- Surface mount
- Rack and Pinion action
- Standard arm mechanism
- Parallel bracket application on size 2~4

APPLICATION RANGES

- Standard door mount on pull side
- Transom mount on push side
- Parallel bracket application on size 2
- Single-action door
- Non-handed installation

Power size	2			3			4		
	Interior	Exterior		Interior	Exterior		Interior	Exterior	
		swing out	swing in		swing out	swing in		swing out	swing in
Max. Door width (mm)	914	813	711	1067	914	813	1219	1067	914
Max. Opening Angle	180								

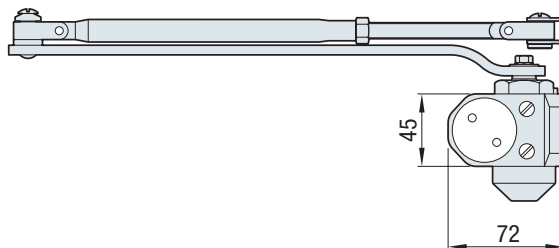
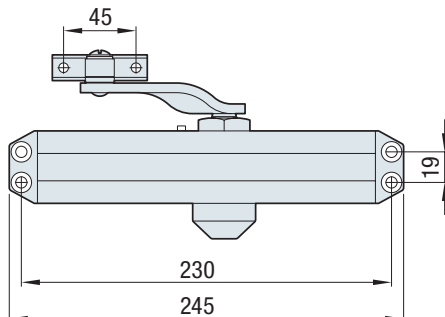
FINISHES

- Painted – silver, brown, gold, black, white and other RAL colors upon request and discussion

ACCESSORIES

- Hold open arm
- Parallel bracket
- Cover
- Angle bracket
- Fixing plate
- Drop plate
- Narrow bracket

DIMENSIONS





FEATURES

- Selectable position power size 2~4
- Adjustable closing and latching speed
- Thermo-constant valve
- Surface mount
- Rack and Pinion action
- Standard arm mechanism
- Built in hold-open (optional upon request)

APPLICATION RANGES

- Standard door mount on pull side
- Transom mount on push side
- Parallel bracket application on size 2
- Single-action door
- Non-handed installation

FINISHES

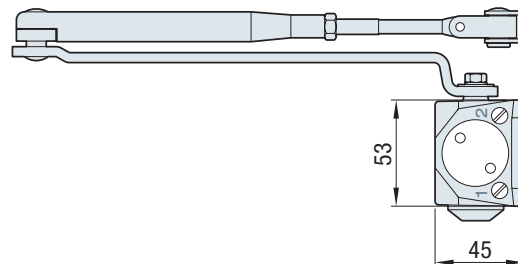
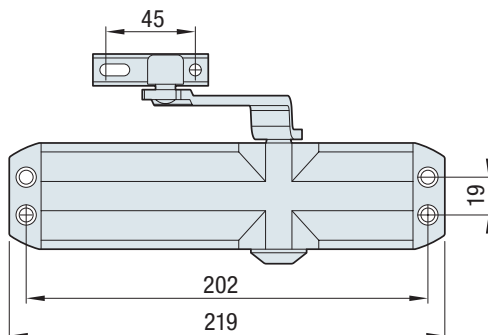
- Painted – silver, brown, gold, black, white and other RAL colors upon request and discussion

Power size	2	3	4
Max. Door width (mm)	870	950	1100
Max. Opening Angle	180	180	160

ACCESSORIES

- Hold open arm
- Parallel bracket
- Cover

DIMENSIONS





FEATURES

- Selectable position power size 2~4
- Adjustable closing and latching speed
- Thermo-constant valve
- Surface mount
- Rack and Pinion action
- Standard arm mechanism

APPLICATION RANGES

- Standard door mount on pull side
- Transom mount on push side
- Parallel bracket application on size 2
- Single-action door
- Non-handed installation

FINISHES

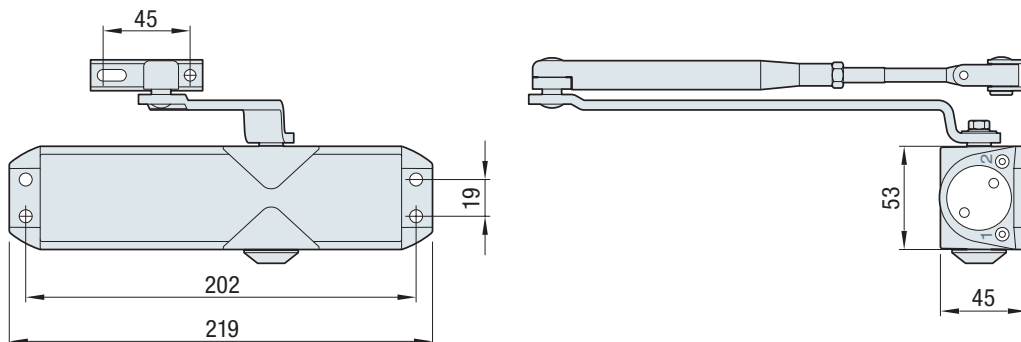
- Painted – silver, brown, gold, black, white and other RAL colors upon request and discussion

Power size	2	3	4
Max. Door width (mm)	870	950	1100
Max. Opening Angle	180	180	160

ACCESSORIES

- Hold open arm
- Parallel bracket

DIMENSIONS





FEATURES

- Selectable position power size 2~4
- Adjustable closing and latching speed
- Thermo-constant valve
- Surface mount
- Rack and Pinion action
- Standard arm mechanism
- Adjustable back check (optional upon request)

APPLICATION RANGES

- Standard door mount on pull side
- Transom mount on push side
- Parallel bracket application on size 2
- Single-action door
- Non-handed installation

FINISHES

- Painted – silver, brown, gold, black, white and other RAL colors upon request and discussion

Power size	2	3	4
Max. Door width (mm)	870	950	1100
Max. Opening Angle	160	160	145

ACCESSORIES

- Hold open arm
- Parallel bracket
- Drop plate

DIMENSIONS

