

GEZE System solution Indoor climate control



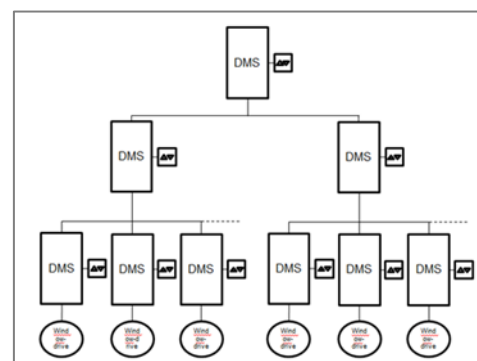
Photo: GEZE GmbH

Rooms in any parts of buildings that are used by people need to be supplied with fresh air. Having fresh air in rooms is very important for health and well-being. Using motor-driven windows GEZE manual/semi-automatic ventilation makes a valuable contribution to a pleasant and balanced indoor climate. The intelligent control systems of GEZE fully automatic ventilation (SHEV) facilitate natural ventilation, even when you're not at home.

Individual-, group- or central control system

The cascadable modules can be used as a control system, and they consequently provide an easy-to-install solution.

- Efficient control of indoor climate
- Easy installation (e.g. rail mounting)
- Fresh air reduces the amount of germs in the air through reduced use of air-conditioning



- Many connecting possibilities from the GEZE portfolio
- This cascable system also enables a combination between 24 V drives and 230 V control.

Automated solutions

With additional sensors the comfort of the solution can be increased:

- Control with weather station: The combination of the control system makes a control of the windows possible based on the temperature in- and outside. Available as individual-, group- or central control system.
- Control based by air quality: The AREXA control module can use sensor data to configure dependent profiles which enable ventilation to be provided even when nobody is present. Wind and rain sensors protect equipment from damage by triggering automatic closing.
- Building control: The WS1000 touch panel used in combination with the MBZ 300 provides the system's visualisation and intelligent control. Visualisation via the WS1000 makes display of data for rooms within the building as well as meteorological data possible.

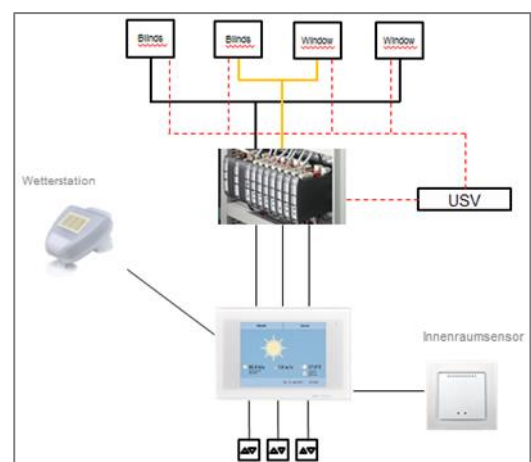


RWA with building control

Our RWA system MBZ 300 produces in combination with the WS1000 touch panel a building control of high safety. In combination with a UPS the system becomes a smoke and heat extraction system that is certified according to DIN EN 12101-10 and VdS standards.

The individual modules make the control unit extremely flexible and simple to extend.

- easy integration in or of KNX systems with the



open interface KNX

- intelligent control even in emergency and easy handling with the touch panel
- one system - one supplier
- extremely flexible, individual and simple to extend

Compatible products:

Slimchain, Powerchain, E 250 NT, Power Lock, E 905/906, IQ gear

Accessory:

Power supplies NT-Serie, ventilation switch, etc.

KNX display Corlo Touch

With the KNX display Corlo Touch, control and visualization in connection with IQ box KNX are also possible. Thanks to the networking via KNX the IQ windowdrives can be networked and controlled. The Corlo Touch has a WiFi interface and can be coupled to and controlled by your home network or a mobile end device (e.g. smartphone). In addition, further KNX capable components can be visualized on the display, e.g. a smoke detector or KNX switches.



Photos: Elsner Elektronik GmbH. Errors and technical modification subject to change without notice. April 2016.

A complete overview of the compatible products and accessories is available in the download center of the product homepage.

A contact person is available for all questions, from the initial idea right up to the commissioning. Our customer solution team will be glad to assist you.